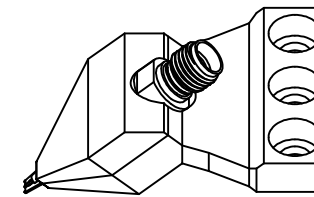
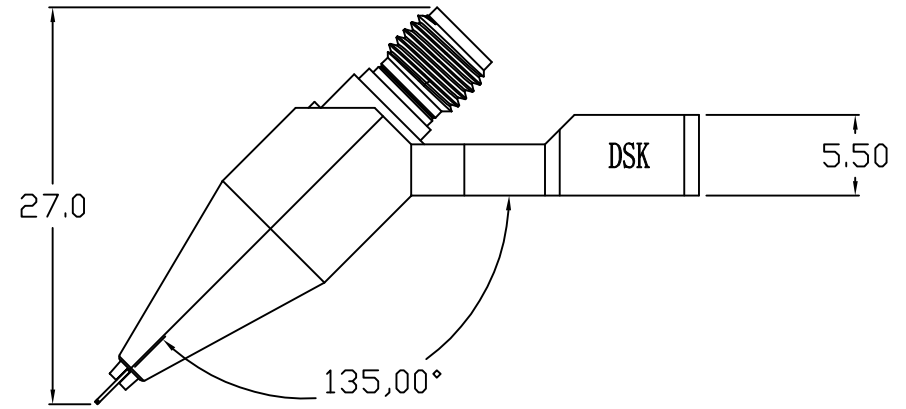
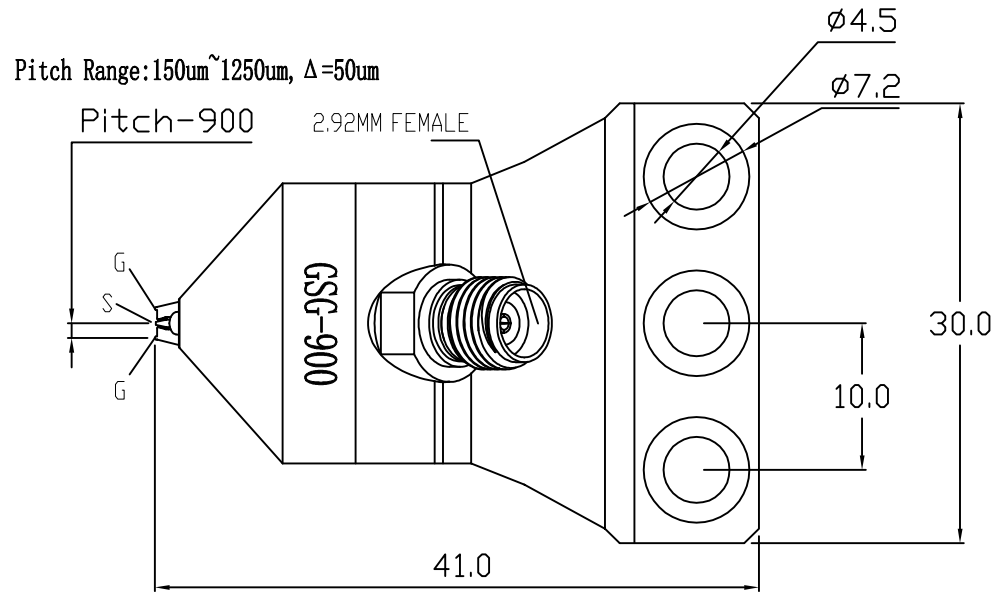


OUTLINE DRAWING:

REV	DESCRIPTION	DRAWN BY	APPROVED BY	DATE
A	FIRST ISSUES	FAN	Matthew	12-11-2021



NOTE:

- 1.IMPEDANCE: 50 OHM
- 2.FREQUENCY RANGE: DC~40GHz
- 3.RETURN LOSS: -15dB MIN
- 4.DWV: 500 VRMS MIN
- 5.OPERATING TEMP: -40~+125°C

BODY	STAINLESS STEEL	PASSIVATED
DIELECTRIC	ULTEM	NATURAL
CENTER CONTACT	BECU	GOLD
DESCRIPTION	MATERIAL	FINISH

DIMENSION: mm	SERIES: 2.92MM	CABLE: XFWP-90	DesignCon	
General tolerance Unless otherwise specified	PRODUCT Spec:	ASSEMBLY INSTR		
0 Place: ±0.2	DRAWN:	FAN	11-11-2021	Title: DSK-RF-GSG-150um~1250um Probe
1 Place: ±0.2	CHECKED:	FAN	11-11-2021	
2 Place: ±0.2	APPROVED:	Matthew	12-11-2021	PART NUM: S10292001900S
Angles:	<u>CUSTOMER DRAWING</u>		DRAWING NUM: 292001	
This drawing is a controlled document			SCALE: 5:1	PAGE: 1/1