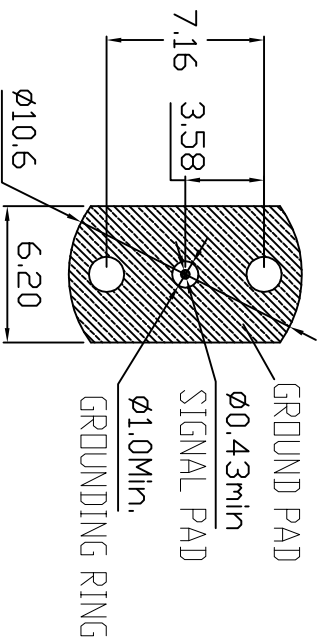
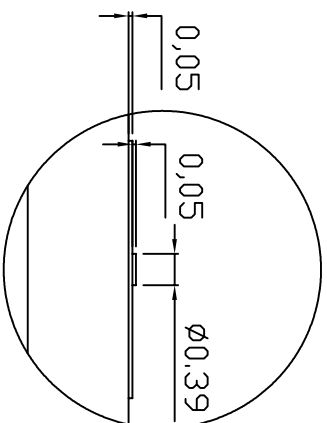


# OUTLINE DRAWING:

RECOMMENDED PCB LAYOUT

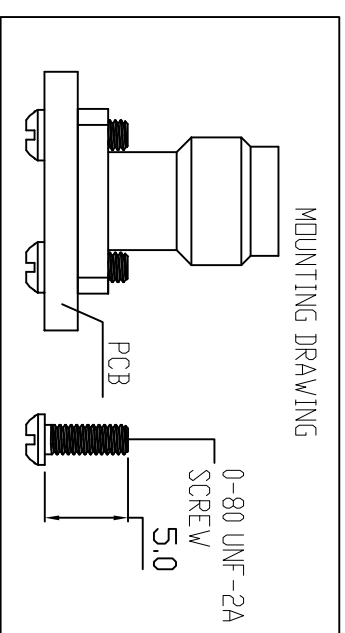


DETAIL A

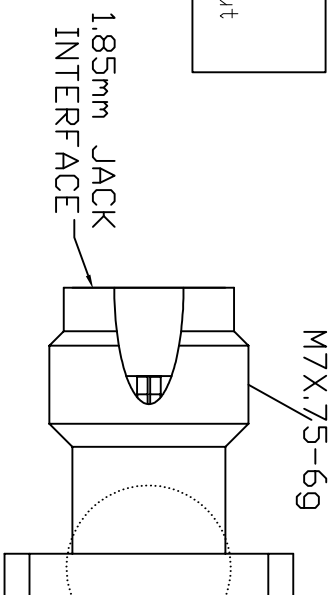


REV	DESCRIPTION	DRAWN BY	APPROVED BY	DATE
A	FIRST ISSUES	FAN		24-11-2021

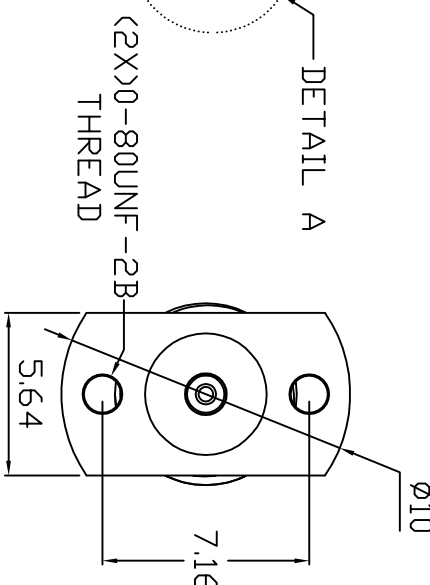
MOUNTING DRAWING



Above Pcb layout is for reference only, the trace impedance depends on pcb material, stackup, customised trace and so on. It is necessary to make a SI analysis before use this pcb layout



DETAIL A



- NOTE:
1. IMPEDANCE: 50OHM
  2. FREQUENCY RANGE: DC~67GHZ
  3. VSWR: 1.5max
  4. INSERTION LOSS: 0.05xsqrt(f IN GHz)
  5. D.V.V: 500 VRMS MIN
  6. OPERATING TEMP: -40~+155°C

BODY	STAINLESS STEEL	PASSIVATED
DIELECTRIC	ULTEM	NATURAL
CENTER CONTACT	BECCU	GOLD
DESCRIPTION	MATERIAL	FINISH

DIMENSION: MM	SERIES: 1.85MM	CABLE: N/A	<b>DesignCon</b>
General tolerance Unless Otherwise specified	PRODUCT SPEC	ASSEMBLY INSTR	
0 Plance: ±0.2 1 Plance: ±0.2 2 Plance: ±0.2	DRAWN: FAN	24-11-2021	
Angles:	CHECKED: FAN	24-11-2021	
APPROVED			PART NUM:
CUSTOMER DRAWING			DRAWING NUM:
Title: DSK-1.85mm-s tripline-jack 0.8~2.4MM BDRAD			

This drawing is a controlled document			
SCALE: 10:1	REMARK:	PAGE: 1/1	