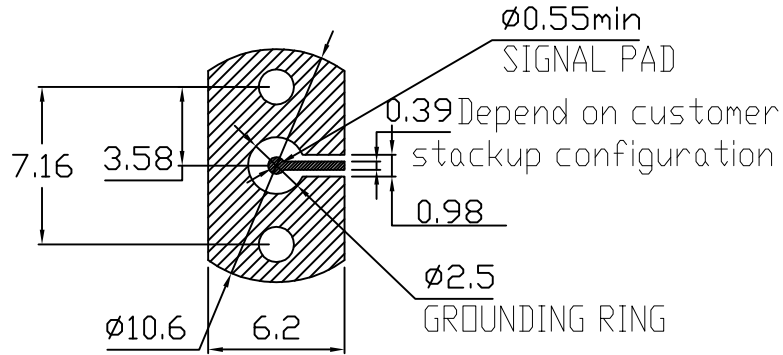


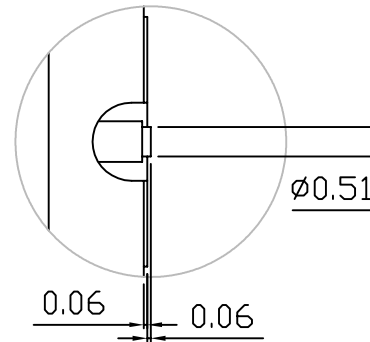
OUTLINE DRAWING:

REV	DESCRIPTION	DRAWN BY	APPROVED BY	DATE
A	FIRST ISSUES	FAN		28-07-2021

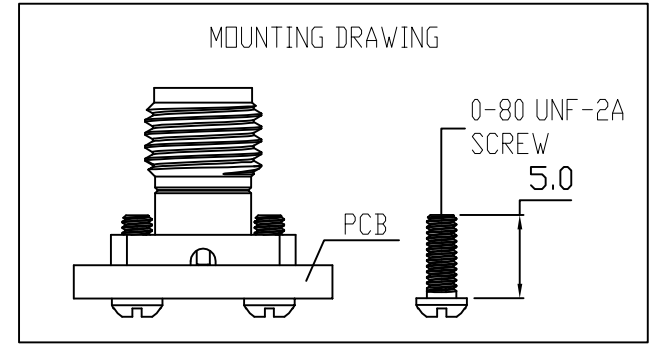
RECOMMENDED PCB LAYOUT



DETAIL A

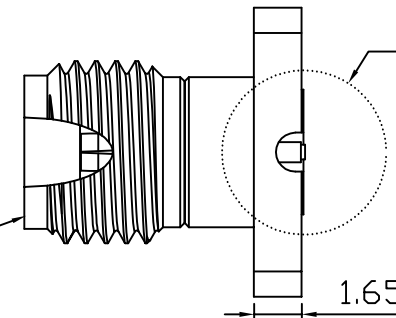


MOUNTING DRAWING



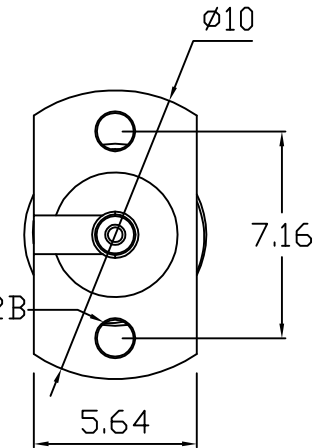
Above Pcb layout is for referance only, the trace impedance depends on pcb material, stackup, customised trace and so on. It is necessary to make a SI analysis before use this pcb layout

2.92mm JACK INTERFACE



DETAIL A

(2X)0-80UNF-2B THREAD



NOTE:

- 1. IMPEDANCE: 50Ω
- 2. FREQUENCY RANGE: DC~40GHz
- 3. VSWR: 1.5max
- 4. INSERTION LOSS: $0.05 \times \sqrt{F}$ (F IN GHz)
- 5. DWV: 500 VRMS MIN
- 6. OPERATING TEMP: -40~+155°C

DESCRIPTION	MATERIAL	FINISH
BODY	STAINLESS STEEL	PASSIVATED
DIELECTRIC	ULTEM	NATURAL
CENTER CONTACT	BECU	GOLD

DIMENSION: MM	SERIES: 2.92MM	CABLE: N/A	DesignCon		
General tolerance Unless otherwise specified 0 Place: ±0.2 1 Place: ±0.2 2 Place: ±0.2	PRODUCT Spec: ASSEMBLY INSTR		Title: 2.92MM Microstrip JACK.2HOLE FLANGE 0-80THERAD,0.8~2.4MM BORAD		
	DRAWN:	FAN 28-07-2021			
	CHECKED:	FAN 28-07-2021	PART NUM:		
Angles:	APPROVED		DRAWING NUM:		
CUSTOMER DRAWING This drawing is a controlled document			SCALE: N/A	REMARK:	PAGE: 1/1