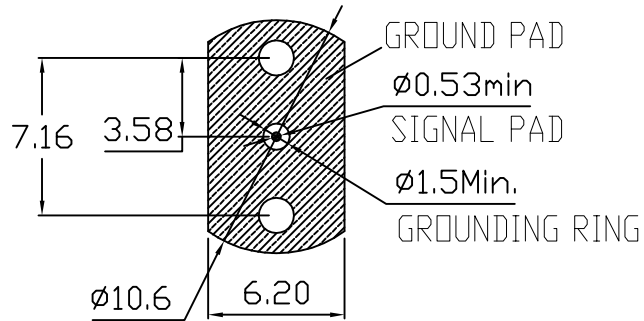


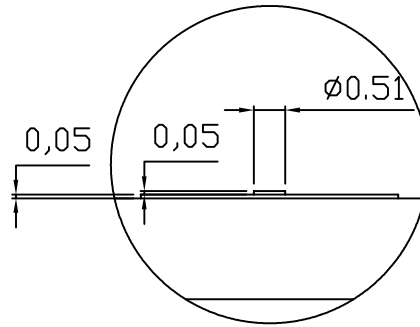
# OUTLINE DRAWING:

REV	DESCRIPTION	DRAWN BY	APPROVED BY	DATE
A	FIRST ISSUES	FAN		04-07-2021

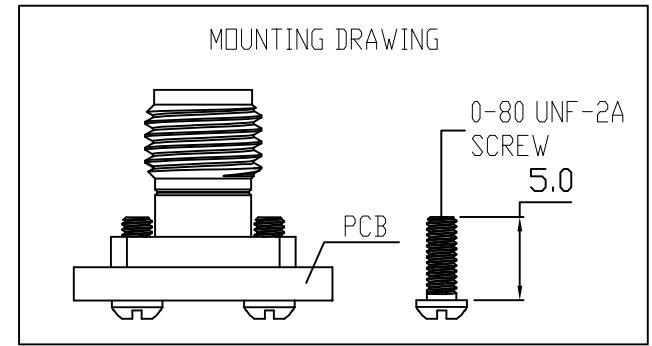
## RECOMMENDED PCB LAYOUT



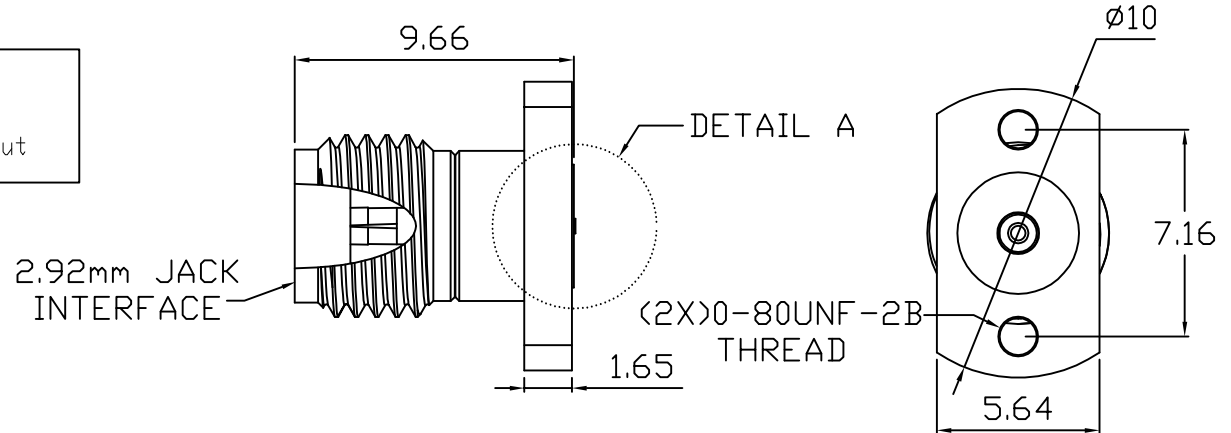
## DETAIL A



## MOUNTING DRAWING



Above Pcb layout is for referance only, the trace impedance depends on pcb material, stackup, customised trace and so on. It is necessary to make a SI analysis before use this pcb layout



### NOTE:

1. IMPEDANCE: 50Ω
2. FREQUENCY RANGE: DC~40GHz
3. VSWR: 1.5max
4. INSERTION LOSS:  $0.05 \times \sqrt{F}$  (F IN GHz)
5. DWV: 500 VRMS MIN
6. OPERATING TEMP: -40~+155°C

BODY	STAINLESS STEEL	PASSIVATED
DIELECTRIC	ULTEM	NATURAL
CENTER CONTACT	BECU	GOLD
DESCRIPTION	MATERIAL	FINISH

DIMENSION: MM	SERIES: 2.92MM	CABLE: N/A	<b>DesignCon</b>		
General tolerance Unless otherwise specified	PRODUCT Spec:	ASSEMBLY INSTR			
0 Place: ±0.2	DRAWN: FAN	04-07-2021	Title: 2.92MM JACK.2HOLE FLANGE 0-80OTHERAD,0.8~2.4MM BORAD		
1 Place: ±0.2	CHECKED: FAN	04-07-2021			
2 Place: ±0.2	APPROVED:		PART NUM:		
Angles:	CUSTOMER DRAWING		DRAWING NUM:		
	This drawing is a controlled document		SCALE: 10:1	REMARK:	PAGE: 1/1