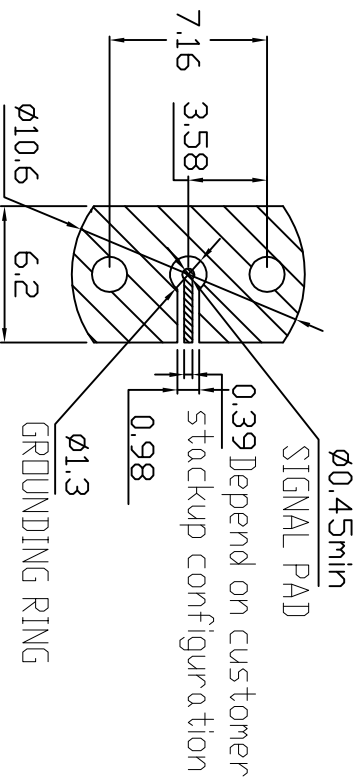


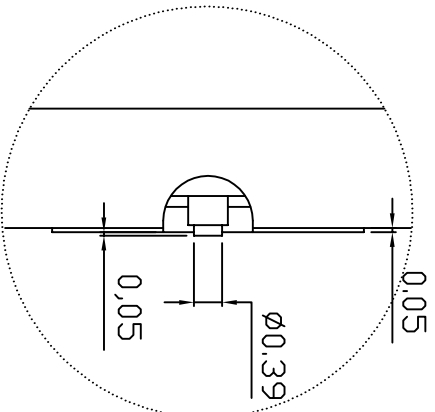
OUTLINE DRAWING:

RECOMMENDED PCB LAYOUT



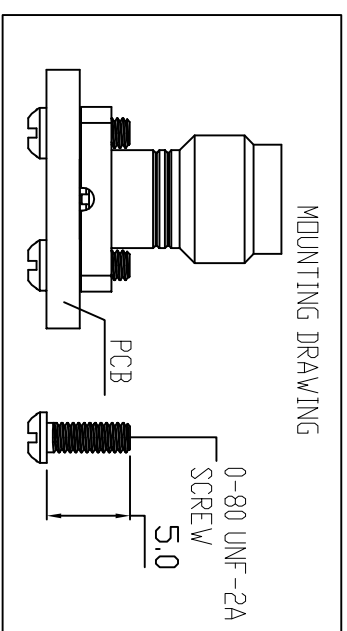
Above Pcb layout is for reference only, the trace impedance depends on pcb material, stackup, customised trace and so on. It is necessary to make a SI analysis before use this pcb layout

DETAIL A

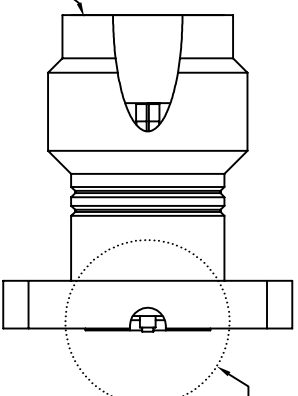


REV	DESCRIPTION	DRAWN BY	APPROVED BY	DATE
A	FIRST ISSUES	FAN		28-07-2021

MOUNTING DRAWING

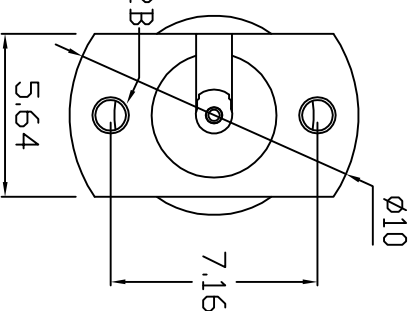


1.85mm JACK INTERFACE



DETAIL A

(2X)0-80UNF-2B THREAD



- NOTE:
1. IMPEDANCE: 50OHM
 2. FREQUENCY RANGE: DC~67GHZ
 3. VSWR: 1.5max
 4. INSERTION LOSS: 0.05xsqrt(f IN GHz)
 5. D.V.V: 500 VRMS MIN
 6. OPERATING TEMP: -40~+155°C

BODY	STAINLESS STEEL	PASSIVATED
DIELECTRIC	ULTEM	NATURAL
CENTER CONTACT	BECCU	GOLD
DESCRIPTION	MATERIAL	FINISH

DIMENSION:	MM	SERIES:	1.85MM	CABLE:	N/A	<h2>DesignCon</h2>
General tolerance Unless Otherwise specified		PRODUCT SPEC	ASSEMBLY INSTR			
0 Plance: ±0.2		DRAWN:	FAN	28-07-2021		
1 Plance: ±0.2		CHECKED:	FAN	28-07-2021		
2 Plance: ±0.2		APPROVED:				Title: DSK-1.85MM Microstrip 0.8~2.4MM BORAD
Angles:		PART NUM:		DRAWING NUM:		

CUSTOMER DRAWING

SCALE: N/A REMARK: PAGE: 1/1

This drawing is a controlled document